

FINPOL 1-2-3

MOBILE CARTRIDGE FILTER UNITS WITH SELF-CLEANING



USE

- Dust filtration, in particular in the sectors: powder coating, food industry, feed production, chemical industry
- Operations of mixing, weighing, packaging of solid powdery materials, loading of bulk products, transfer of powders
- Sanding, sandblasting, grinding, edging and cutting operations on non-sparking metals
- Surface mechanical cleaning operations
- Dust suppression of rubber, cast iron, graphite, iron, steel, plastic, carbon, epoxy painting powders, fiberglass powders

FEATURES

- Sturdy construction in painted carbon steel sheet
- Standard version with collection drawer. Option with 60 liter collection bin
- Counter-current compressed air cleaning (standard version with manual actuation)
- Cartridges fixed with threaded rods from above
- Cleaning with vibrator (only on request on some models)
- Very high efficiency cartridge filtration, BIA Class M
- High efficiency with cleaning system with one shot of compressed air for each cartridge
- Easily accessible cartridges for replacement

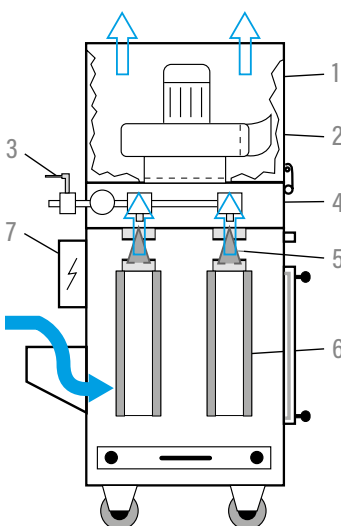
STANDARD SUPPLY

- Collection drawer
- Manual compressed air cleaning
- Soundproofing box (on models with fan)
- Wheels
- Fan
- Control panel (on models with fan)
- Polyester cartridges, Ø 320 mm, ht 600 mm

RESTRICTIONS

- Not suitable for explosive or flammable dusts, hygroscopic dusts, dusts with humidity > 5%
- Not suitable for mechanical machining of grinding, deburring, on metals that produce sparks

OPERATION



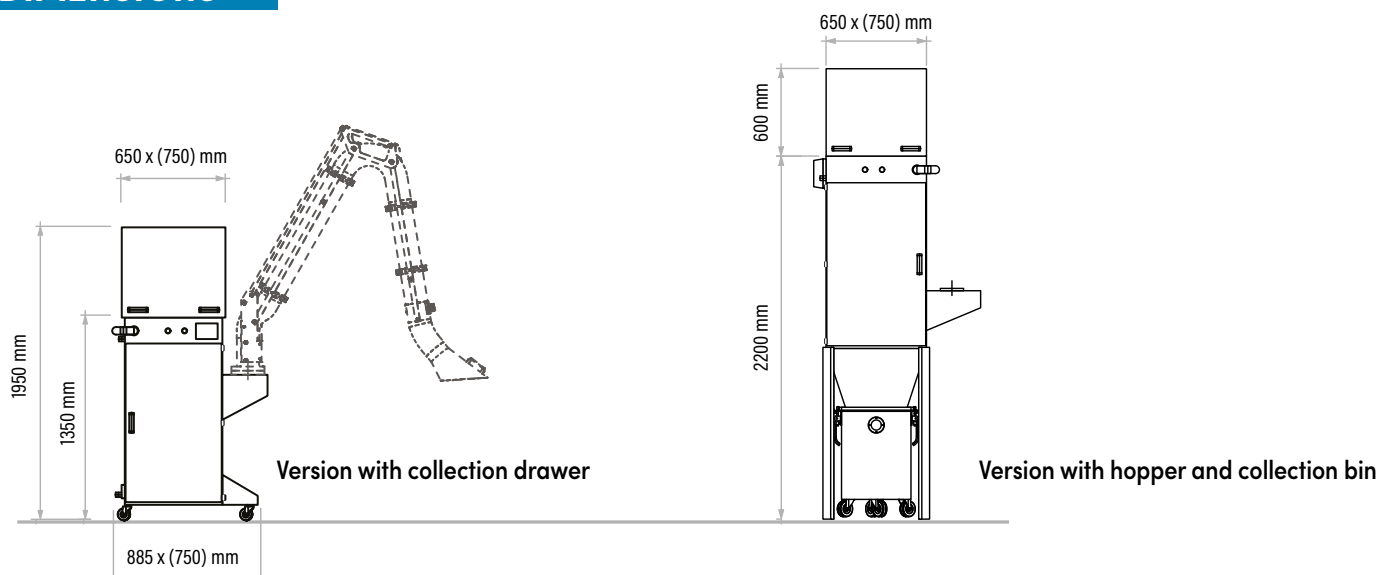
1. Soundproofing box
2. Centrifugal fan
3. Cleaning button
4. Compressed air circuit
5. Jet-pulse
6. Cartridge 10 m² (Ø 320 mm, ht. 600 mm)
7. Control panel

TECHNICAL DATA

Model	ARMS n	NOMINAL FLOW RATE OF THE FAN m ³ /h	RECOMMENDED MAXIMUM FLOW RATE m ³ /h	FILTERING SURFACE m ²	POWER kW (2800 rpm)	NOISE dB(A)	WEIGHT Kg
FINPOL 1 [Version with 1 cartridge, Ø 320 mm, ht. 600 mm]							
FINPOL1B	-	850	750	10	1,5	<79	155
FINPOL1C	-	950	850	10	2,2	<79	175
FINPOL1B/100	1 (Ø 100 mm, lg. 2,6 mt)	650	-	10	1,5	<79	185
FINPOL1C/150	1 (Ø 150 mm, lg. 3,2 mt)	850	-	10	2,2	<79	190
FINPOL 2 [Version with 2 cartridges, Ø 320 mm, ht. 600 mm]							
FINPOL2B	-	2000	1300	20	1,5	<79	150
FINPOL2C	-	2500	1450	20	2,2	<79	155
FINPOL2B/100	1 (Ø 100 mm, lg. 2,6 mt)	650	-	20	1,5	<79	175
FINPOL2B/150	1 (Ø 150 mm, lg. 3,2 mt)	1300	-	20	1,5	<79	185
FINPOL2C/200	1 (Ø 200 mm, lg. 3,2 mt)	1700	-	20	2,2	<79	190
FINPOL2C/2150	2 (Ø 150 mm, lg. 3,2 mt)	1700	-	20	2,2	<79	190
FINPOL 3 [Version with 3 cartridges, Ø 320 mm, ht. 600 mm]							
FINPOL3B	-	2200	1500	30	1,5	<79	150
FINPOL3C	-	2500	1800	30	2,2	<79	155
FINPOL3B/100	1 (Ø 100 mm, lg. 2,6 mt)	650	-	30	1,5	<79	175
FINPOL3B/150	1 (Ø 150 mm, lg. 3,2 mt)	1300	-	30	1,5	<79	185
FINPOL3C/200	1 (Ø 200 mm, lg. 3,2 mt)	1800	-	30	2,2	<79	190
FINPOL3C/2150	2 (Ø 150 mm, lg. 3,2 mt)	1800	-	30	2,2	<79	190

Air flow tolerance: ±10% - Noise tolerance: ±3 dB(A) - Weight tolerance: ±10%

DIMENSIONS



OPTIONAL

- **[MN/DG/BATT/ST]** Battery-powered digital pressure gauge with support bracket and filter connection
- **[ELP/R10/25A]** ELP arm, Ø 100 mm, 2.6 m with inlet chamber
- **[ELP/R15/3A]** ELP arm, Ø 150 mm, 3.2 m with inlet chamber
- **[ELP/R20/3C]** ELP arm, Ø 200 mm, 3.2 m with inlet chamber
- **[PST/AL]** Version with 2 arms
- **[ASS]** Final filtration stage with H13 absolute filters
- **[CART/ANTIST]** Version with antistatic cartridge
- **[CART/FIN123/DT]** Version with DT TopBlend cartridge
- **[FIN123/CARB]** Carbon filter at the outlet (10 kg)
- **[TRAM/SEC]** Hopper and bucket
- **[TRAM/SEC/ROX]** Hopper + roller ST30C 0.75 KW with roller interlock door - Discharge ht. 1000 mm
- **[FIN123/ATEX3D]** ATEX EX II 3D execution
- **[FIN123/INOX]** AISI 304 stainless steel execution
- **[PUL/A/PRO]** Control panel with automatic cleaning with integrated ECOSERIAL - cleaning according to the pressure drop
- **[PUL/A/EX22/PRO]** Control panel with automatic cleaning with external ECOSERIAL ATEX EX II 3D - cleaning according to the pressure drop
- **[PAVA]** Air inlet chamber with spark-trap and water tank
- **[RID/PRES]** Pressure reducer with 1/2 "manometer

SPARE PARTS

- **[RUOTE/F]** Braking wheels, Ø 100 mm
- **[RUOTE/N]** Non-braking wheels, Ø 100 mm
- **[CART/P6]** Polyester cartridge, Ø 320 mm, ht.600 mm
- **[SUP/ELP]** Arm attachment air inlet chamber
- **[BOMB/F]** Compressed air tank
- **[ASS/AP]** Absolute filter, efficiency 99.95% H13 - no flanges 610 x 610 x 292 mm
- **[SECCH/420]** Wheeled bucket with lid, Ø 420 mm x ht 600 mm, 83 lt
- **[VIB/EL]** Vibrator (for old versions)
- **[PAR/25]** Rubber hose, Ø 250 mm (for old versions)
- **[FASPAR25]** Spring clamp, Ø 250 mm, for rubber hose (for old versions)

PRODUCTIONS

