



### USE

- Used to create protective air curtains for those who work near heat sources (ovens, incandescent surfaces, etc.)
- Fans specifically designed to achieve the scenic effect of the "wind" in television and film studios
- Ideal for inflating sleeves or advertising balls
- They can be moved and oriented thanks to the fixing of the fan box

### SPECIFICATIONS

- Conveyed air: clean or slightly dusty, non-abrasive
- Conveyed air temperature: -20 °C / + 50 °C
- Power supply voltage: 400V three-phase, 230V single-phase
- Frequency: 50Hz

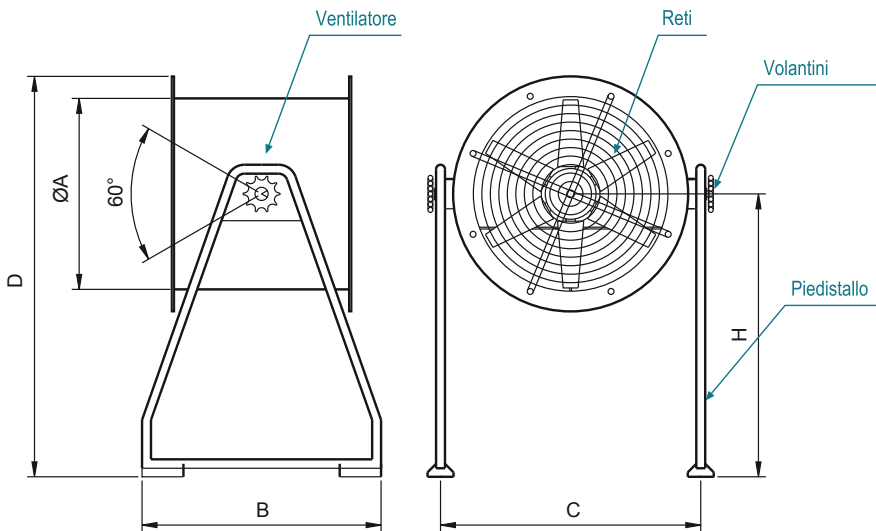
### FEATURES

- The series consists of 8 models with a diameter from 310 mm to 700 mm
- The extreme compactness of the motor-fan unit makes it possible to obtain a product that is much lighter, easier to handle and balanced than the versions with traditional motors.
- The perfect adjustability of the number of revolutions of the versions with single-phase motor allows to adapt the performances to the needs of use
- Conveyor and pedestal in steel sheet protected with epoxy-polyester paint
- Flanges sized according to UNI ISO 6580 / EUROVENT 1-2
- High-performance impeller with airfoil blades, with variable pitch angle in technopolymer and cast aluminum hub
- Balancing according to UNI ISO 1940 / BS 6861-1 standards
- Asynchronous electric motor with alternating current, three-phase or single-phase with thermal protection, with adjustable speed, protection IP 55, insulation CI F, service S1
- External terminal box, connected to the motor, positioned outside on the conveyor
- Execution 5 (direct coupling with cantilevered impeller)
- Tubular pedestal with handwheels to determine the launch position
- Side protection nets

### TECHNICAL DATA

MODEL	POLES n	TURNS rpm	PHASE	FLOW RATE m <sup>3</sup> /h	POWER kW	IN MAX A	NOISE dB(A)
VDTEV314M	4	1400	1~	2.300	0,09	0,8	50
VDTEV354M	4	1400	1~	3.500	0,09	0,8	54
VDTEV404M	4	1400	1~	6.000	0,18	1,7	55
VDTEV454M	4	1400	1~	7.000	0,25	2,2	58
VDTEV504M	4	1400	1~	8.500	0,25	2,3	62
VDTEV564M	4	1400	1~	11.500	0,55	3,8	69
VDTEV314T	4	1400	3~	2.300	0,09	0,5	50
VDTEV354T	4	1400	3~	3.500	0,09	0,5	54
VDTEV404T	4	1400	3~	6.000	0,18	0,75	55
VDTEV454T	4	1400	3~	7.000	0,25	1,1	58
VDTEV504T	4	1400	3~	9.000	0,35	1,5	62
VDTEV564T	4	1400	3~	11.500	0,55	1,6	69
VDTEV634T	4	1400	3~	13.500	0,74	2,2	72
VDTEV714T	4	1400	3~	17.000	1,1	2,6	73

### EXECUTIONS AND DIMENSIONS



Model	ØA	B	C	D	H
31	320	480	480	660	460
35	360	480	520	680	460
40	410	480	590	700	460
45	460	480	640	730	460

Model	ØA	B	C	D	H
50	510	730	690	1015	720
56	570	730	750	1045	720
63	640	730	820	1080	720
71	710	730	900	1120	720

Dimensioni in mm/Dimensions in mm